

ITEM NO.	DESCRIPTION	QTY.	CATALOG NUMBER	DESCRIPTION
1	COMPRESSION LUG	25	HGB102SA	#2 AWG COPPER COMPRESSION LUG, 0.375" HOLE SIZE

CONDUCTOR CODE (AWG)	NAVY [-----]	BOLT SIZE	FIG. NO.	DIMENSIONS										DIE INDEX	COLOR CODE	MECHANICAL		HYDRAULIC		DIELESS (# CRIMPS)	WIRE STRIP LENGTH
				B ±.06	C ±.04	H REF.	K DIA. ±.02	L ±.09	N ±.04	D.D. ±.01	T REF. [3]	Z MIN. [11]	BRDWN			HRCRT (2)	HPAT600	HY750, HPAT750	HRCRT (2) HUCRTW (1)		
#2 AWG	[-----]	3/8	1	1.25 [32]	.60 [15]	--	.40 [10]	2.40 [61]	.41 [10]	.42 [11]	.11 [3]	.42 [11]	10	BROWN	10 (2)	HRCRT (2)	HPAT600	HY750, HPAT750	HRCRT (2) HUCRTW (1)	HMY2911 (1)	1-5/16

INSTALLATION TOOLING (# CRIMPS)

- NOTES:
- NAVY CABLE SIZE MAY BE OMITTED ON SOME SIZES BECAUSE OF SPACE LIMITATIONS.
 - SPECIFICATIONS SUBJECT TO CHANGE WITHOUT NOTICE.

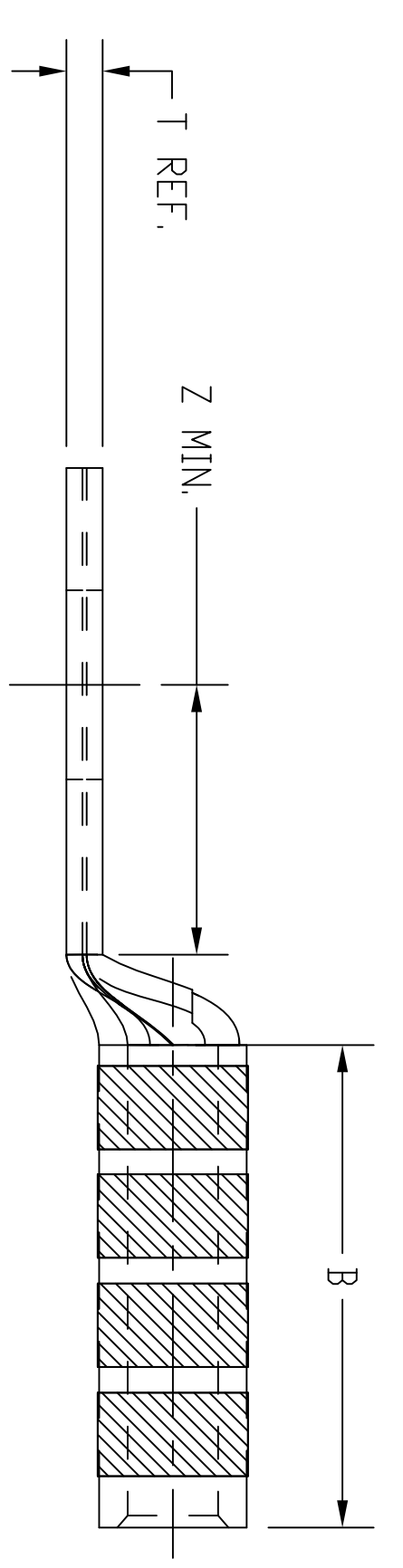
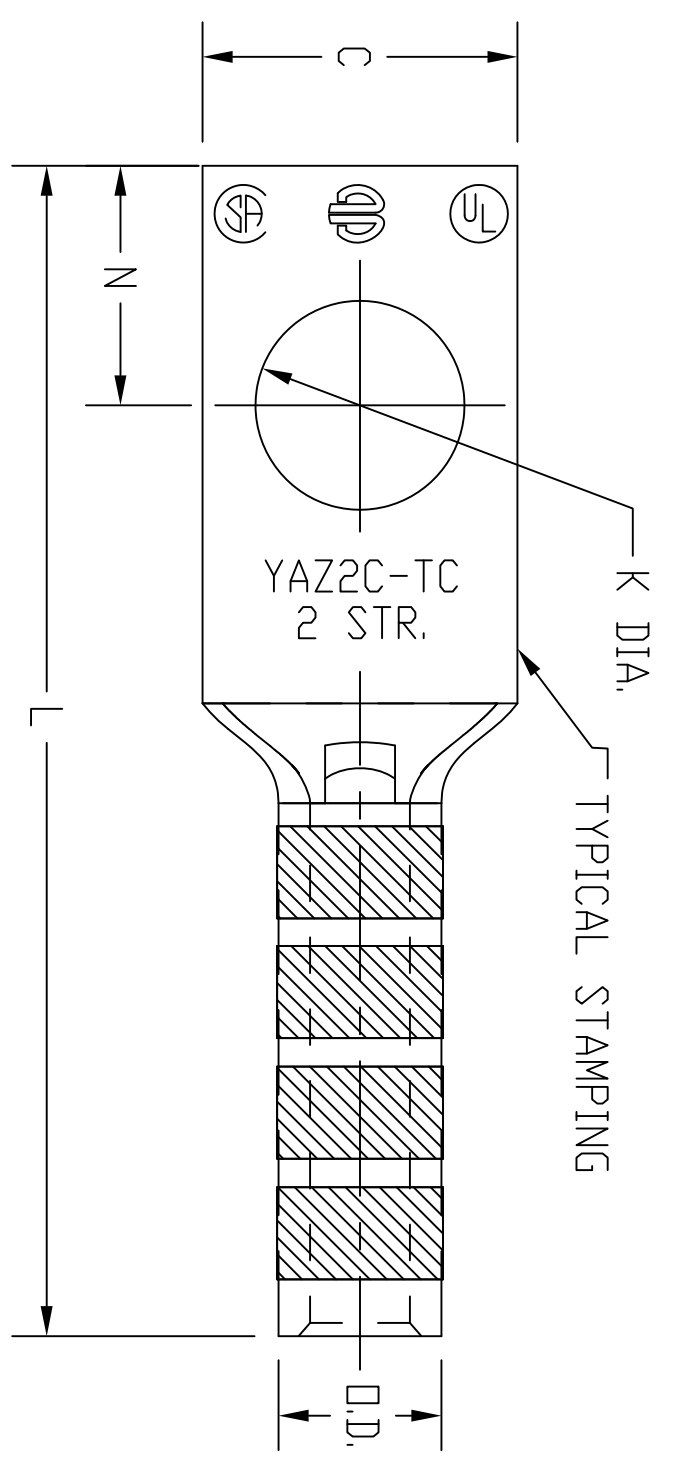


FIG. 1

REV.	ECN	DATE	DESCRIPTION	CHG BY	APPD BY
1	17862	4/18/12	INITIAL RELEASE	CG	

Created on AUTOCAD

DIMENSIONING AND TOLERANCE PER
ANSI Y14.5M-1982
UNLESS OTHERWISE SPECIFIED,
DIMENSIONS ARE IN INCHES (MM).
TOLERANCES
XX = ±.01 (X.25)
XXX = ±.005 (0.125)
ANGLE TO .1°

IN ACCEPTING OUR DRAWINGS,
BLUEPRINTS, OR SUPPORTING
DOCUMENTATION FOR QUOTATION
OR OTHER PURPOSES, YOU AGREE
NOT TO DISCLOSE TO OTHERS
THE DESIGN OR ANY PART OF THE
DESIGN SHOWN HEREIN, AND
THAT YOU WILL MAKE NO USE
OF SAME WITHOUT PERMISSION

PROJECT REFERENCE:
2011-041

MATERIAL:
TIN PLATED COPPER

DRAWN BY:
C. GRIBBLE 4/18/12

CHECKED BY:

APPROVED BY:

HUBBELL
Hubbell Premise Wiring
HUBBELL INCORPORATED (Delaware)
14 Lord's Hill Road, Stoughton, Connecticut 06378

TITLE#2 AWG COPPER COMPRESSION LUG, LONG BARREL
SINGLE HOLE, 0.375" HOLE SIZE

SIZE D DRAWING NO. HWS777074C REV. 1

SCALE: 1/1 SHEET 1 OF 1